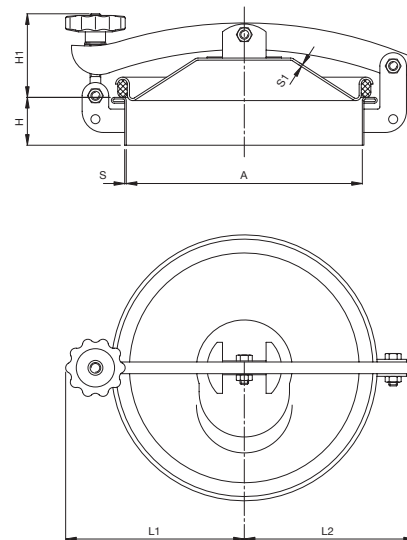


Kružni manlosi, otvor na preokretanje

Round manholes, reverse opening

Manlosi za inox spremnike nisu u izravnom kontaktu sa sadržajem, a proizvedeni su u AISI 304/316 L. Brtve manloha za standardne spremnike izrađene su od gume koja je prikladna za čuvanje namirnica koje nisu agresivne. Na upit možemo isporučiti brtve u Vitonu, silikonu, NBR-u, EPDM-u i u drugim polimerima na tržištu. Upotrebljavaju se u sljedećim sektorima: prehrambenom, kemijskom, ekološkom, prijevoznom, industrijskom i kod građevinskih instalacija. Manholes for inox containers are not in direct contact with the contents and are manufactured in AISI 304/316 L. Manhole seals for standard containers are made of rubber that is convenient for storing non-aggressive foodstuffs. On request, we can deliver seals in Viton, silicon, NBR, EPDM or other polymers on the market. They are used in the following sectors: food, chemical, ecological, transportation, industry and construction installations.



Artikl; Item: **MANLOH; MANHOLE**

A	H	H1	L1	L2	S	S1
Dimenzije u mm; Dimensions in mm						
220	45	50	168	160	1,5	1,2
300	45	85	208	193	1,5	1,2
370	45	85	242	233	1,5	1,2
400	45	102	258	250	2	1,2
500	45	105	310	302	2	1,5
600	45	90	360	355	2	1,5

A= koristan prolaz; useful passage

Najveći radni tlak; Highest working pressure: 0,02 BAR

Tablica za izbor brtve manloha prema tipu medija; Table for manhole gasket according to field of application

Materijal; Material	°C najmanja i najveća dopuštena °C highest and lowest permitted	Boja; Colour	Preporučene primjene Recommended applications
Srodan prehrambenom; Related to food	-45 °C +80 °C	Crvena; Red	Vino; Wine
NBR	-30 °C +100 °C	Bijela; White	Etilni alkohol; Ethyl alcohol Biljna ulja; Vegetable oils Mlijeko; Milk
Silikon	-60 °C +200 °C	Cigla; Brick Transparentna; Translucent	Mlijeko; Milk Vodikov peroksid 90 %; Hydrogen peroxide 90 %
EPDM	-45 °C +130 °C	Crna; Black	Ocat; Vinegar Limunska kiselina; Citric acid Taninska kiselina; Tannic acid
Viton	-20 °C +200 °C	Crna; Black	Sojino ulje; Soya oil Dušična kiselina; Nitric acid